

# BMOD0094 P075 B02



## PRODUCT SPECIFICATIONS

CAPACITANCE	
Nominal capacitance	94 F
Tolerance capacitance	0% / 20%
VOLTAGE	
Rated voltage	75 V
Surge voltage	90 V
Maximum operating voltage	86 V
Isolation voltage 50Hz, 1 min. Maximum string operating voltage 1,500 V DC	2,500 V DC
RESISTANCE	
ESR, DC Max., room temperature	12.5 mΩ
Resistance tolerance	Max.
TEMPERATURE	
Operating temperature range	-40°C to +65°C
Storage temperature range	-40°C to +70°C
Capacitance change	± 5%
Internal resistance change	± 50%
POWER	
Total Energy	73.2 Wh
LIFESPAN	
Endurance (rated voltage, 65°C) After 1,500 hours application of rated voltage at 65°C. Within % oof initial specified value.	150,000 hours
Capacitance change	< 20% decrease
Resistance change	< 60% increase
DC Life (rated volate, 25°C)	150,000 hours (17 years)
Capacitance change	< 20% decrease
Resistance change	< 100% decrease
Cycle Life	1,000,000
Capacitance change	< 20% decrease
Resistance change	< 100% decrease
CURRENT	
Leakage current After 72 hours at 25°C. Initial leakage current can be higher.	150 mA
Short circuit current (Isc) CAUTION: Current possible with short circuit from UR. Do not use as an operating current.	4,800 A
Maximum continuous current	50 A

MONITORING (IN-BUILT)	
Balancing	Passive
Thermal monitoring	PT100, Deutsch DTM04-2P
SIZE	
Dimensions (L x W x H) (mm) (±0.5mm)	515 x 263 x See drawing
Weight	25 kg
RATINGS	
Environmental resistance	IP54
Vibration resistance	SAE J2380

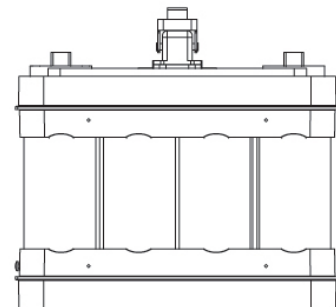
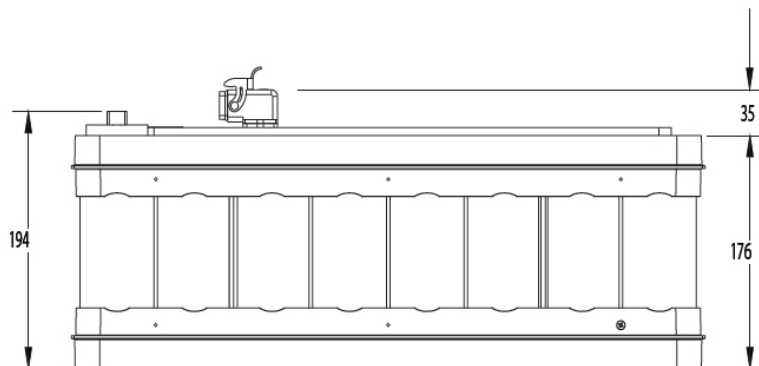
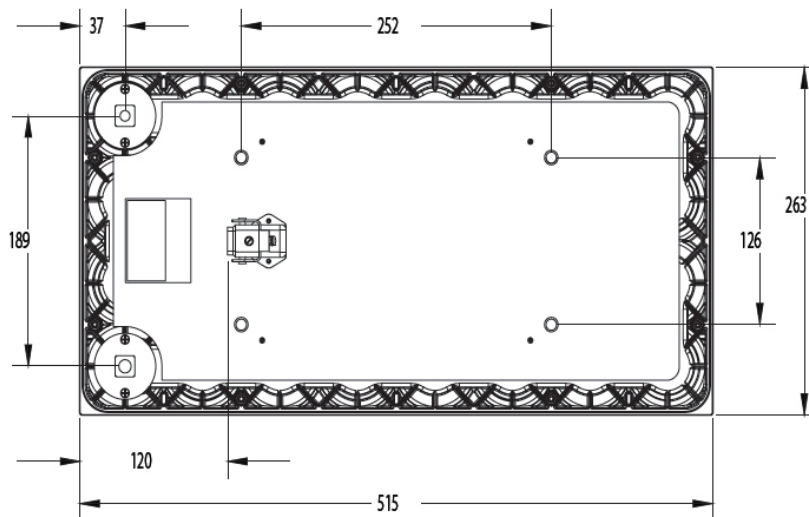
### TYPICAL FEATURES AND BENEFITS

- Ultra-low internal resistance
- Highest power performance available
- Lowest time constant
- 75 V operating voltage
- Temperature monitoring
- Over 1,000,000 duty cycles
- Water, dust and vibrations resistant with IP54 and SAE J2380 compliance

### TYPICAL APPLICATIONS

- Grid / Power quality
- UPS / Backup for heavy machinery
- Wind turbine pitch systems

## BMOD0094 P075 B02



Product dimensions are in mm and for reference only unless otherwise identified. Product dimensions and specifications may change without notice. Please contact Maxwell Technologies directly for any technical specifications critical to application.

### INCLUDED IN BMOD0063 P125

2 power connectors; threaded aluminium:

- 1x M8 (positive)
- 1x M10 (negative)

1 Monitoring connector:

- Harting® HAN 09 37 003 0801 (base), 09 36 008 3001 (insert) Thermal monitoring through PT100 Minco S17624PDYT20B

### MARKINGS

Modules are marked with the following information: Rated capacitance, rated voltage, product number, name of manufacturer, positive and negative terminal, warning marking, serial number.



[www.yegcomponents.com](http://www.yegcomponents.com)

YEG Components (a division of Young Electronics Group)

Coronation Road, Cressex Business Park, High Wycombe, Buckinghamshire HP12 3TA

Tel: +44 (0) 1494 753500 Fax: +44 (0) 1494 753501 Email: [sales@younelectronics.com](mailto:sales@younelectronics.com)

US Free Call: +1 877 511 4324  
Fax: +1 858 503 3301

Online: [www.maxwell.com](http://www.maxwell.com) • Email: [info@maxwell.com](mailto:info@maxwell.com)

Fax: +86 21 5836 5620